

J2451A

4 to 64 Ports Test Set

Datasheet



Key features

- Expand VNA ports to increase test throughput
- Flexible configuration to expand VNA ports to 16x ports
- Wide frequency range, DC to 20 GHz
- Easy access to RF input/output connections from front panel permits easy maintenance and reconfiguration
- All RF ports are 50 Ω terminated
- Standard calibration method and performance check to allow operator to perform accurate test
- Capable of millions cycles operating life, reduce cost of test
- Smart counters to monitor switching times
- Remote controlled by PC program through RS232 interfaces

Product Overview

J2451A series allows switching of multiple signals without physically changing the connections. It provides the life and reliability required for automated test and measurement, signal monitoring, and routing applications.

With a standard 19-inch enclosure, J2451A can be mounted in 19-inch cabinet and/or underneath of a VNA (vector network analyzer) such as Keysight E5071C.

Flexible Configuration to Expand VNA Ports

- Expand VNA ports to increase test throughput.
- Flexible configuration to expand VNA ports to 16x ports.
- Easy access to RF input/output connections from front panel permits easy maintenance and reconfiguration.
- Standard calibration method and performance check to allow operator to perform accurate test.

High-performance Switches for RF Applications

- High isolation, low insertion loss and high repeatability (please refer to specifications below for details).
- Guaranteed 5 million cycles operating life (typical 10 million cycles).
- All RF ports are 50Ω terminated.

Smart Counters to Monitor Switching Times

- With switching counters, they can be used to count switching times of all coaxial switches.
- PC program can monitor the switching counts of all RF coaxial switches to avoid measurement accuracy problem caused by switching counts exceed allowed life cycle.

Remote Control through RS232

- Support RS232 interface for remote control applications.

Royalty-free API Library

- API can be used to develop customized ATS measurement system or laboratory test applications.
- Library includes programming reference, example source codes for VB and VC++.

RF characteristic Specifications

Frequency range	DC to 20 GHz	
RF ports	50Ω termination	
Operating life	5 million cycles min.	
Insertion loss	0.3dB + 0.015 x freq.(GHz)	
Isolation	DC to 12 GHz	80 dB min.
	12 to 15 GHz	60 dB min.
	15 to 20 GHz	50 dB min.
SWR	DC to 4 GHz	1.25 max.
	4 to 12.4 GHz	1.45 max.
	12.4 to 20 GHz	1.80 max.
Maximum power rating	1 watt (CW) average into 50 Ω internal loads	
Into internal termination	1W CW	
	50 W PK (not to exceed 1W average)	
Into thru path	2W CW	
	100W peak, 10us max. pulse width	
	(not exceed 2W average)	
Repeatability	0.1 dB maximum (5 million cycles, 25°C)	
Connectors	SMA (f)	

Note: The above information is the RF characteristic specifications of ports of coaxial switches used by J2451A.

Environmental Specifications

Temperature

Operating	0 °C to 55 °C
Storage	- 40 °C to 70 °C

Humidity

Operating / Storage	15 to 95% Relative Humidity (RH)
---------------------	----------------------------------

General Specification

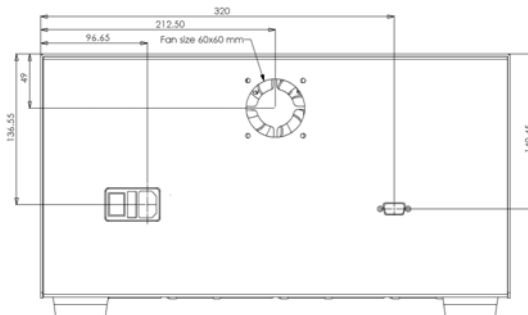
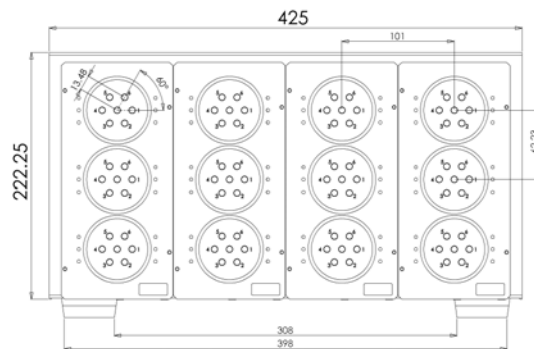
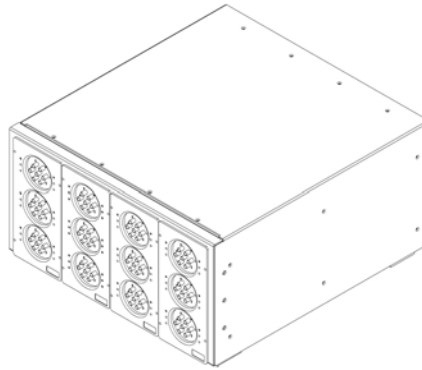
AC Power

AC power in	100V ~ 230V
Power consumption	30 watts (max.)

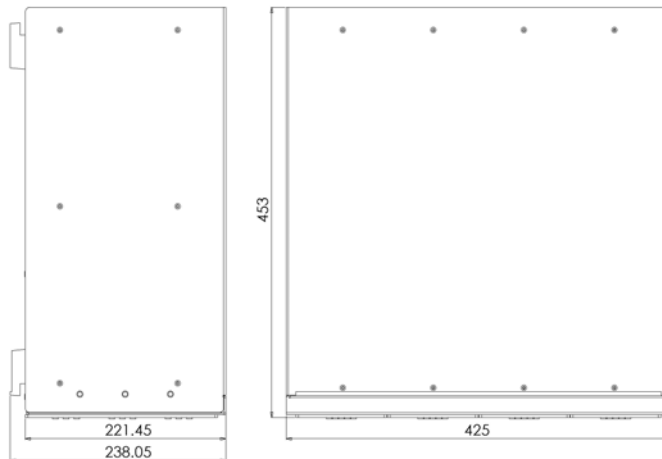
Host Interface Port

RS232	DB9 Male, DTE (115200 baud rate)
-------	----------------------------------

Mechanical Dimensions (unit=mm)



W: 425mm
D: 453mm
H: 238mm



Ordering Information

J2451A	4 to 64 Ports Test Set
Option JA015	SMA jumper cable set M-M L=15cm, Qty=8
Option CE100	SMA cable M-M L=100cm
Option CE150	SMA cable M-M L=150cm
Option CE200	SMA cable M-M L=200cm
Option CL100	Low loss SMA cable M-M L=100cm
Option CL150	Low loss SMA cable M-M L=150cm
Option CL200	Low loss SMA cable M-M L=200cm
Option A501	Rack mount kit

Product specifications and descriptions in this document subject to change without notice.



LAB105 Technology Co., Ltd

Tel: +886-2-27420642

Fax: +886-2-27664185

<http://www.LAB105.com>