

## P6002A

# 8-Port Bias Source

## Datasheet

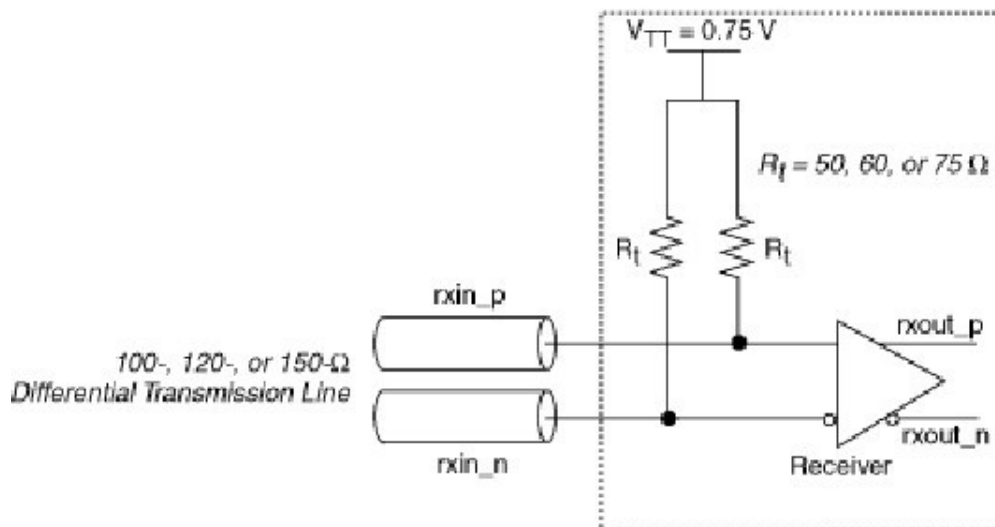


### Key features

- 8 output ports, 4 ports are terminated and the other 4 ports are non-terminated.
- Selectable termination voltage from 3.3V, 3.125V and 3.465V.
- Overall current limit up to 100mA.
- Each port current limit up 10mA.
- Buzzer beeping warning over current occurs.
- External power adapter eliminates the needs of drains power from precious equipment.
- Bicolor LED indicators for each individual output port.
- Power output ON/OFF button with LED indicator.

## Product Overview

In differential transmission applications, due to signal integrity concern, bus signal need to be terminated at receiver side. In addition, termination needs to be DC neutral. The DC neutral potential can be any voltage level from 0.5V to 4V depends on receiver chip types. The typical termination configuration is shown below,



P6002A is a device with 4 terminated port and 4 non-terminated ports. The default termination voltage is 3.3V and user selectable 3.125V and 3.465V.

Each port current limits at 10mA. This is more than enough for termination. Each port also has a bi-color LED to indicate port ON/OFF status. The bicolor LED light up in green while in ON state and turn into red if over current occur.

The overall P6002A current limits at 100mA. This is to protect not just the P6002A itself, but also the device under test. In case of over current occur, a buzzer beeps to denote catastrophe has occurred. While this happen, the port voltage drops to minimum and hence protects the device under test.

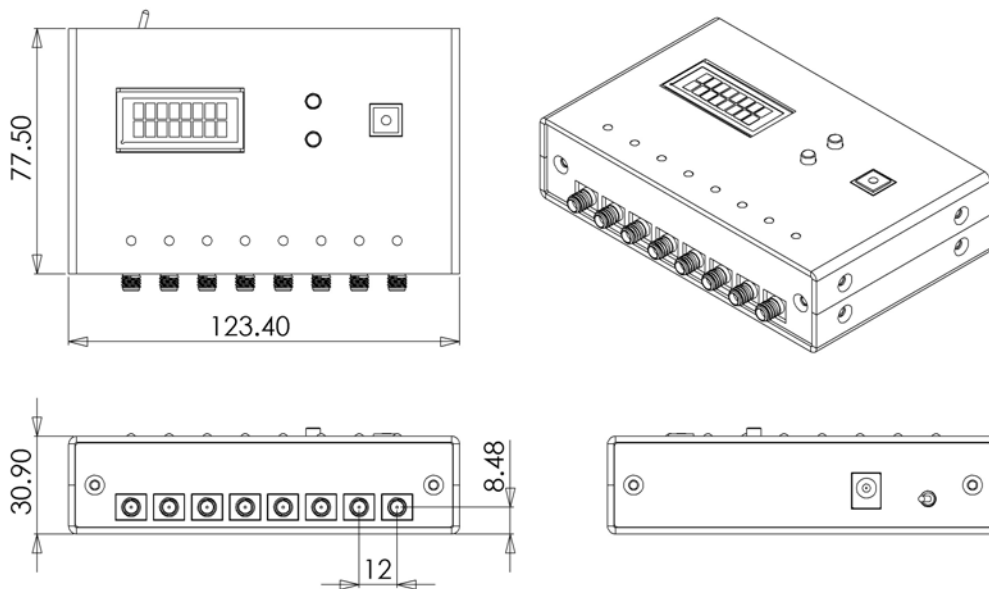
P6002A features an output ON/OFF button with a LED indicator with it.

The P6002A packed with an external power adapter and this eliminates the needs of drains power from precious equipment.

## General Specification

Overall current limit	100mA (.max)
Each port current limit	10mA (.max)
Power output connectors	SMA (f), Qty=8
Power consumption	
Standby	0.6 watts (typ.)
Operation	0.9 watts (typ.)
<b>AC/DC Power Adapter</b>	
AC power input	100 ~ 230V
DC power output	12V, 1A
Weight	290g
Dimension (W x D x H)	124 x 78 x 31 (unit=mm)

## Mechanical Dimensions (unit=mm)



## Included Accessories

---

ADP-FULL-1201A	AC/DC power adapter
----------------	---------------------

---

## Environmental Specifications

---

### Temperature

Operating	0°C to 55 °C
Storage	- 40 °C to 70 °C

---

### Humidity

Operating / Storage	15 to 95% Relative Humidity (RH)
---------------------	----------------------------------

---

## Ordering Information

---

P6002A	8-Port Bias Source
Option 801	SMA cable set, M-M L=60cm, Qty=8

---

Product specifications and descriptions in this document subject to change without notice.