

W2000A

TDR Probe Stage

Datasheet



Key features

- Universal joint design, provides a highly flexible and fast probe positioning function
- Heavy platen provides a stable platform for measurement
- Probe preload function provide stable quality measurement with high repeatability
- Contains no active components, together with probe body can be regarded as a transmission line or passive components
- Standard working platform provides the flexibility to fix various fixtures in place for measurement
- Various supporting accessories to match with LAB105 TDR probes

•

Product Overview

All LAB105 TDR probes are light weight and slim. This is a unique characteristic and can be benefited when hand held measuring. However, hand held probing is difficult to pin point the same spot. W2000A is a probe station which holds the probe and through its universal joint design, any location can be easily probed. This eliminates the deviation caused by human factors such as, slightly probing spot deviation, contact force difference, probing angles ...

W2000A has an optical bread board type plate, it is heavy, durable and stable platform. Through its universal joint arm, it provides highly agility and direct orientation for positioning. This eliminates the needs of recursive align to reach the proper spot. In addition, W2000A's leverage arm and pre-load design, probing force can therefore easily achieve and maintained. By all means, W2000A provides an easy, stable and dependable probing tool.

W2000A5 is designed for use with various types LAB105 probes. These are the options can be chosen from:

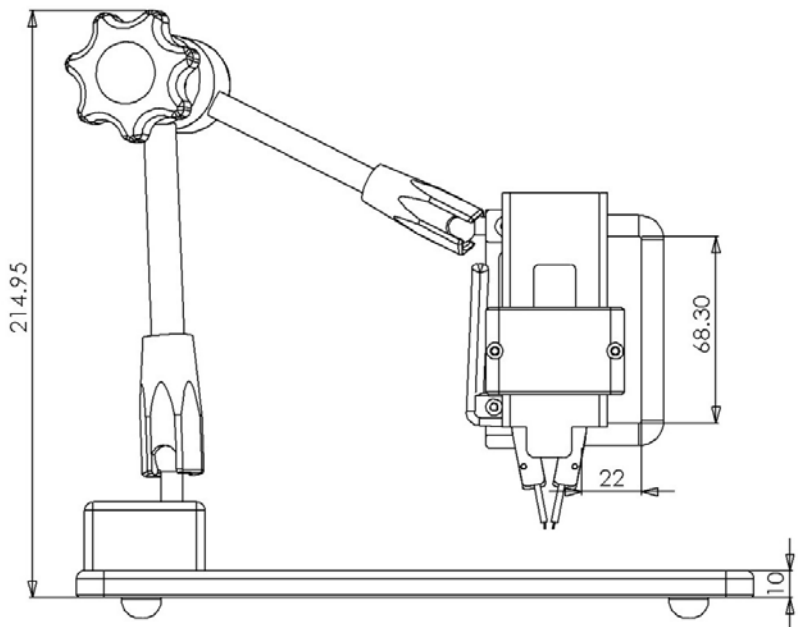
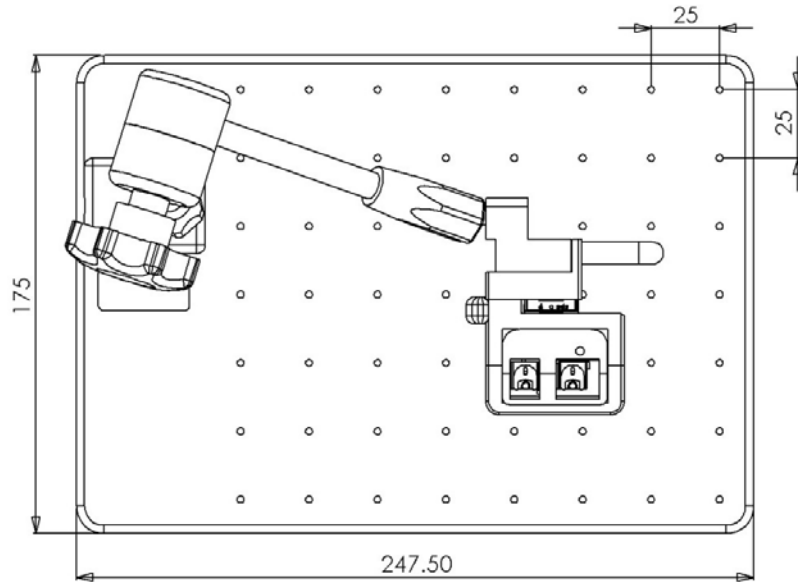
- Option 100 - T1015A differential probe holding kit
- Option 110 - T1011A single ended probe holding kit
- Option 120 - DF254A / SE254A fixed pitch probe holding kit

All three options are economic alternative for holding various types of probes.

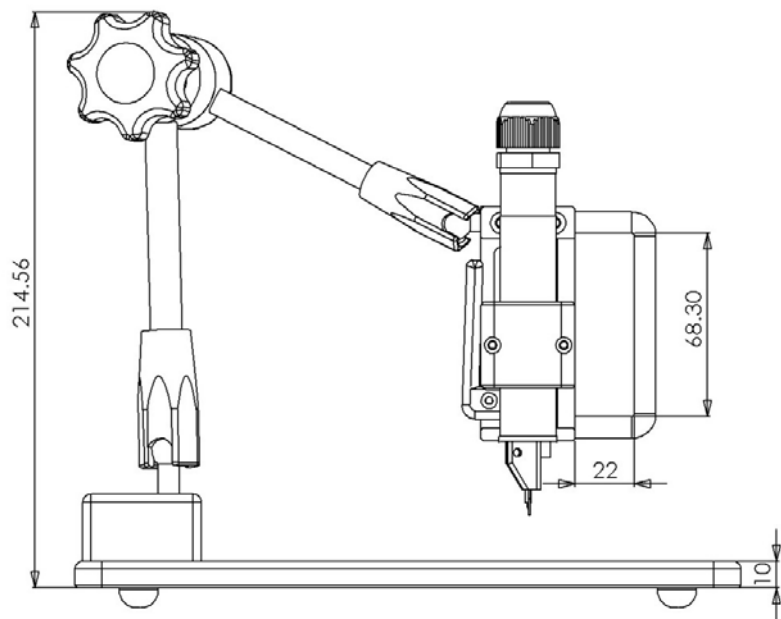
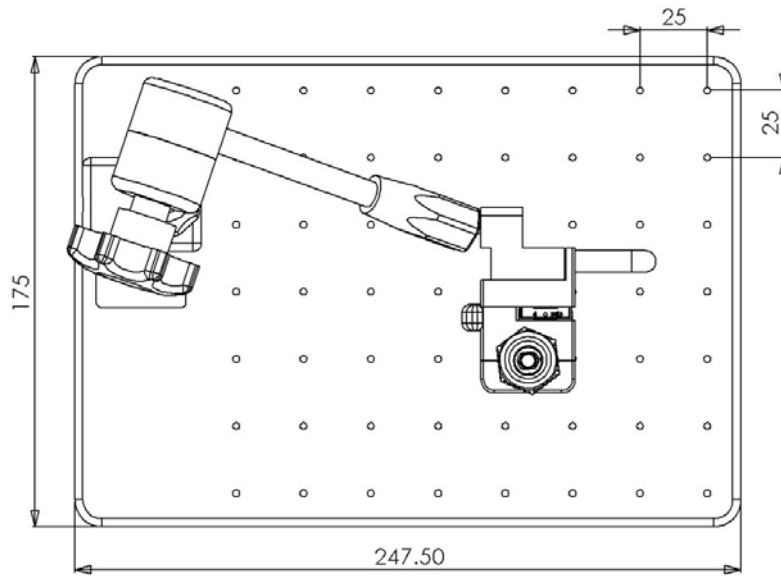
Use W2000A and proper probes, applications such as PCB impedance measurement, electronics devices measurement and many others can be easily achieved. It is good solution for R&D, QA and manufacturing.

Mechanical Dimensions (unit=mm)

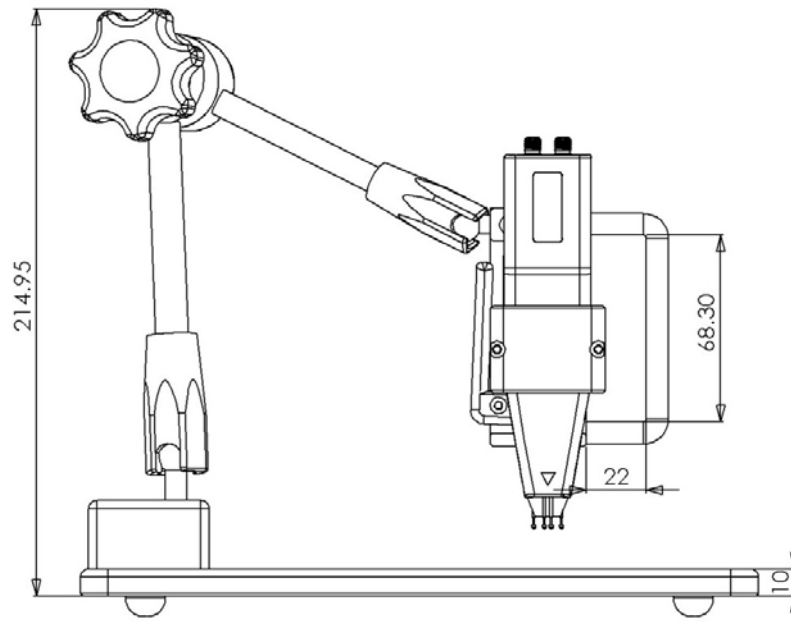
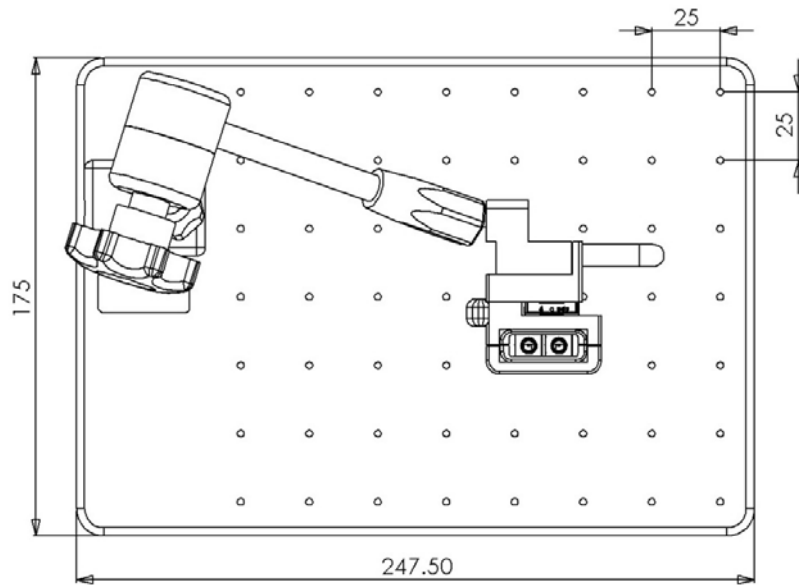
Option 100 - Used with T1015A differential TDR probe



Option 110 - Used with T1011A single ended TDR probe

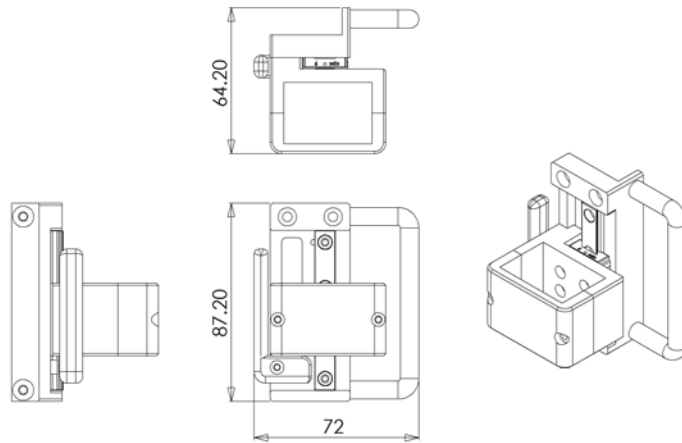


Option 120 - Used with DF254A / SE254A economic TDR probe



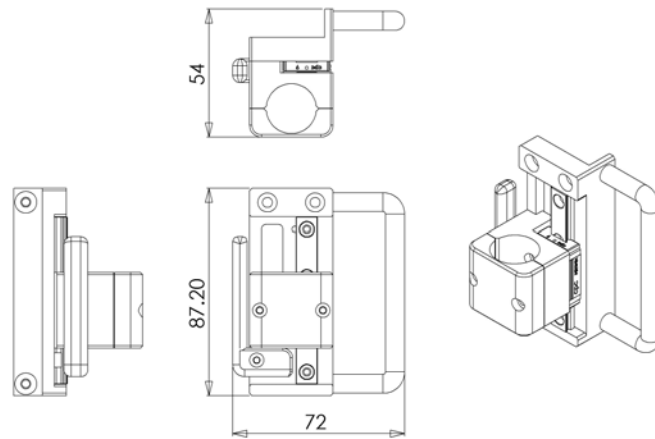
Option 100

Holding kit for
T1015A



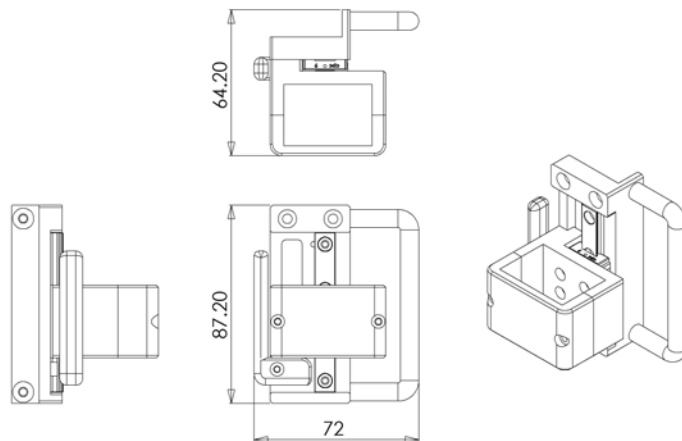
Option 110

Holding kit for
T1011A



Option 120

Holding kit for
DF254A /
SE254A



General Specification

Space between mounting holes	25 mm
Mounting hole size	M3
Weight	2 Kg
Platen dimension (W x D)	247 × 175 mm
Platen thickness	10 mm

Environmental Specifications

Temperature

Operating / Storage - 40 °C to 70 °C

Humidity

Operating / Storage 15 to 95% Relative Humidity (RH)

Ordering Information

W2000A	TDR Probe Stage
Option 100	Holding kit for T1015A differential TDR probe
Option 110	Holding kit for T1011A single ended TDR probe
Option 120	Holding kit for DF254A / SE254A fixed pitch TDR probe

Note: To use with LAB105 TDR probe, at least one of above options must be chosen.

Product specifications and descriptions in this document subject to change without notice.